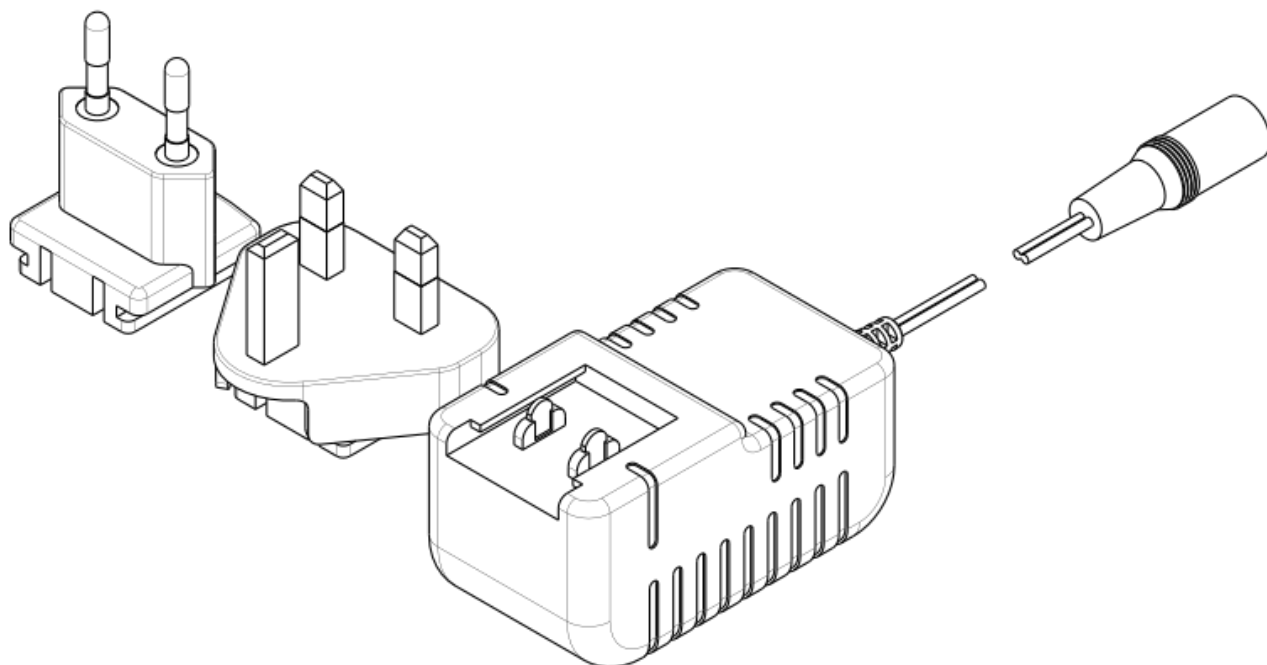


PowerView® Power supply 18VDC



Description

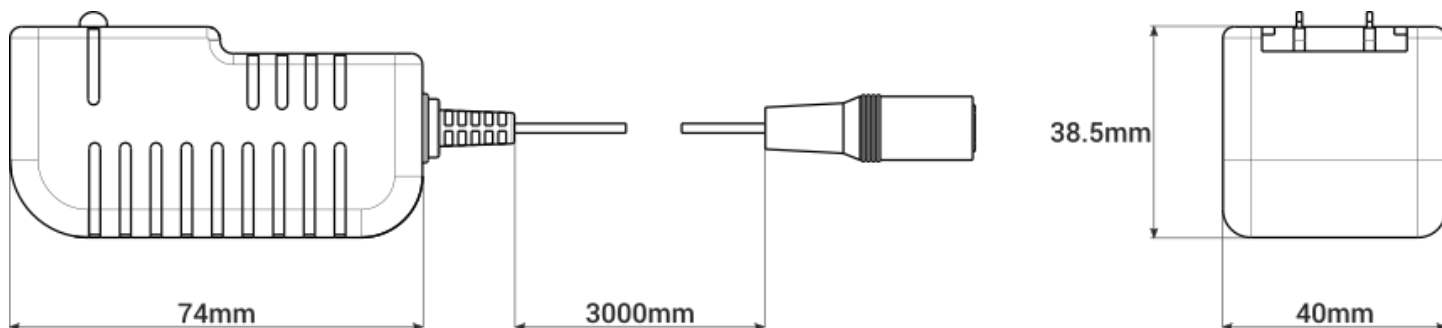
The 18VDC power supply is a compact and powerful regulated 18V DC power supply. The input range will automatically adjust between 90 – 250 VAC. The output has over current and short circuit protection. In case of a short circuit, the power supply will recover after it has been disconnected from the power line. The power supply is delivered with interchangeable EU and UK plugs.

The 18V power supply has been specially designed to power individual PowerView® blinds.

Features

- Compact design
- Low heat generation due to higher efficiency (Efficiency Level V)
- Over Current and Short Circuit protection
- Compatible with all PowerView® motors

Dimensions



Technical data

Rated input voltage (VAC)	100-240
Rated input Frequency (Hz)	47-63
Rated output voltage (VDC)	18 ± 2%
Efficiency level	> 83% at full load (level V)
No load power (W)	< 0.5
Max. current output (A)	1.1
Max. power output (W)	18
Operation temp. (°C)	0...+40
Operation humidity (%)	5...90
Storage temp. (°C)	-20...+70
Material	PVC
Colour	white
Dimensions (l x w x h, mm)	68 x 40 x 34.5


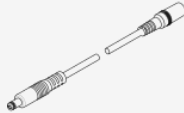
Approvals

CE

Logistics

Article number	17.2424.0204
Min. order qty	1 pc
Application	PowerView® 18VDC motors any other 18VDC device with max. 1A power consumption

Accessories

Description	Product code	Packing Unit	Figure
Y cable connector	17.0337.0000	20 pcs	
Patch cable 0.4m	17.0338.0000	10 pcs	
Patch cable 1.25m	17.0339.0000		
Patch cable 3.8m	17.0340.0000		
Patch cable 6.1m	17.0341.0000		

Safety instructions

The power supply may only be installed by qualified personnel who:

- have read and understood the mounting instructions of the power supply, failing to do so can lead to serious injury.
- are familiar with the electronic safety aspects
- recognize and avoid danger which can be produced from the mechanical or electrical components
- always observe and are familiar with the local safety, labour regulations and laws
- will uphold all the above, when performing maintenance on any type of power supply AC or DC



Never drop the motor!



Do not immerse into liquid!



Do not cut any cables!



Avoid direct sunlight!

Important notice

Hunter Douglas Europe B.V. and its affiliates (Hunter Douglas) reserve the right to make corrections, enhancements, improvements and other changes to its products and services, and to discontinue any product or service. Buyers should obtain the latest relevant information before placing orders and should verify that such information is current and complete. All products (also referred to herein as "components") are sold subject to Hunter Douglas' terms and conditions of sale supplied at the time of order acknowledgment. Hunter Douglas warrants performance of its components to the specifications applicable at the time of sale, in accordance with its standard warranty terms. Testing and other quality control techniques are used to the extent Hunter Douglas deems necessary to support this warranty. Except where mandated by applicable law, testing of all parameters of each component is not necessarily performed. Hunter Douglas assumes no liability for applications assistance or the design of Buyers' products. Buyers are responsible for their products, applications and interfaces using Hunter Douglas components. To minimize the risks associated with Buyers' products and applications, Buyers should provide adequate design and operating safeguards. Hunter Douglas does not warrant or represent that any license, either express or implied, is granted under any patent right, copyright, mask work right, or other intellectual property right relating to any combination, machine, or process in which Hunter Douglas components or services are used. Information published by Hunter Douglas regarding third-party products or services does not constitute a license to use such products or services or a warranty or endorsement thereof. Use of such information may require a license from a third party under the patents or other intellectual property of the third party, or a license from Hunter Douglas under the patents or other intellectual property of Hunter Douglas. Reproduction of Hunter Douglas information in Hunter Douglas data sheets is permissible only if reproduction is without alteration and is accompanied by all associated warranties, conditions, limitations, and notices. Hunter Douglas is not responsible or liable for any altered documentation. Information of third parties may be subject to additional restrictions. Resale of Hunter Douglas components or services with statements different from or beyond the parameters stated by Hunter Douglas for that component or service voids all express and any implied warranties for the associated Hunter Douglas component or service and is an unfair and deceptive business practice. Hunter Douglas is not responsible or liable for any such statements. Buyers acknowledge and agree that they are solely responsible for compliance with all legal, regulatory and safety-related requirements concerning its products, and any use of Hunter Douglas components in its applications, notwithstanding any applications-related information or support that may be provided by Hunter Douglas. Buyers represent and agree that they have all the necessary expertise to create and implement safeguards which anticipate dangerous consequences of failures, monitor failures and their consequences, lessen the likelihood of failures that might cause harm and take appropriate remedial actions. Buyers fully indemnify Hunter Douglas and its representatives against any damages arising out of the use of any Hunter Douglas components in safety-critical applications. Manufacturer/Supplier address: Hunter Douglas Europe B.V, P.O. Box 5072 Piekstraat 2 3008 AB Rotterdam The Netherlands