

## Safety instructions

The motor may only installed by qualified personnel who:

- have read and understood the mounting instructions of both blind and motor, failing to do so can lead to serious injury.
- are familiar with the electronic safety aspects
- recognize and avoid danger which can be produced from the mechanical or electrical components
- always observe and are familiar with the local safety, labour regulations and laws
- will uphold all the above, when performing maintenance on a motor or blind
- the motor may only be used in combination with the appropriate and suitable power source, supplied by your sales office
- A remote control is considered NOT to be a children's toy
- HDE DC motors are rated for 10000 cycles, replacement is necessary when cycle limit is reached



Never drop the motor!



Never drill into the motor!



Do not immerse into liquid!

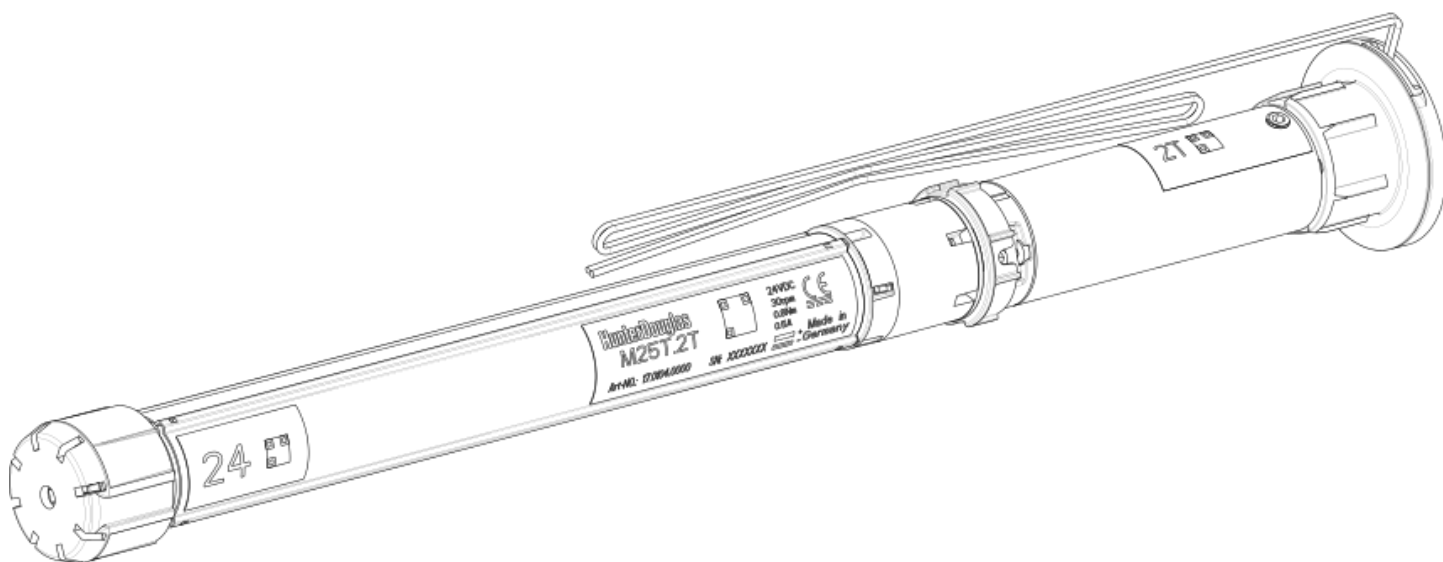


Avoid collisions!



Do not cut any cables!

## M25T 24V motor



## Features & benefits

### Quiet Operation

The M25T motor offers lower noise levels than alternative DC motors in the market. This increases the quality feel and comfort for the user.

### Consumer friendly limit setting

The motor has electronic end limits. Setting the upper and lower limit can easily be done in a blink of an eye thanks to the use of a programming key.

### Smart electronics

The motor is equipped with current and speed detection. Different blinds can operate at the same speed. The motor direction is automatically assigned after the first end limits programming.

### Smooth operation

The motor has a slow start, slow stop function.

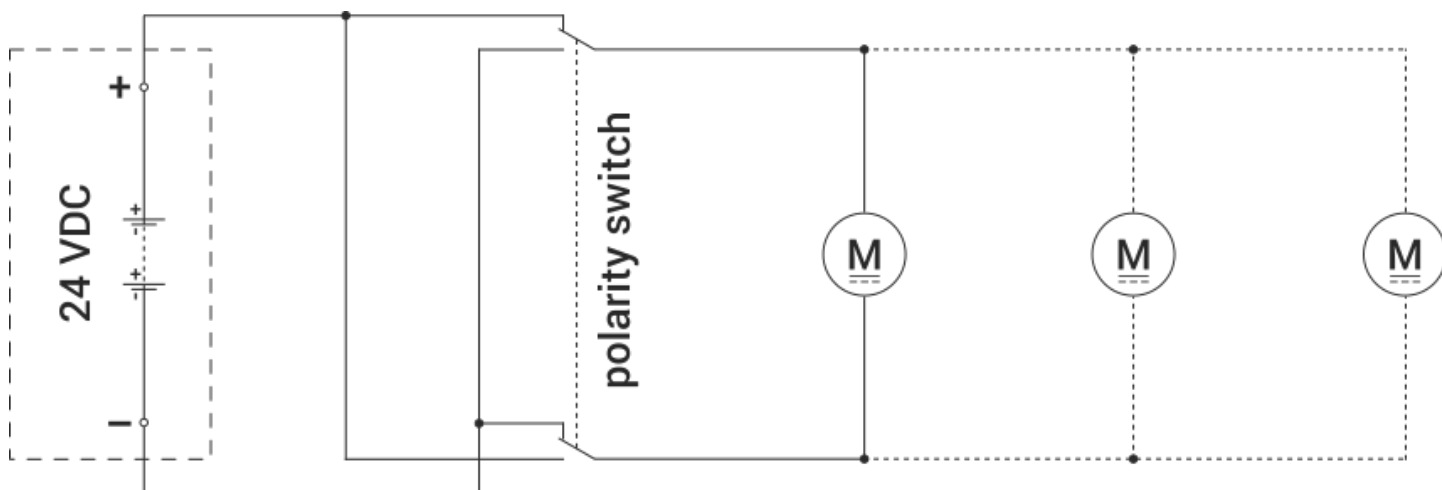
### Reduced assembly time

The motor fits the 31mm and 37mm tube in the EOS®500 Roller Blind hardware without adapters and saves assembly time.

### Superior design

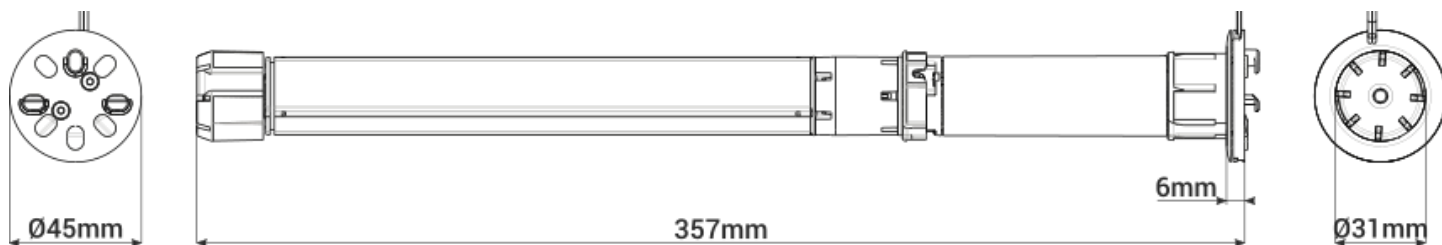
The M25T motors have a small light gap of 9mm on the idler side and 14mm on the operation side.

## Technical data





Rated voltage (VDC)	24
Number of wires	2
Nominal torque (Nm)	0.8
Nominal speed (rpm)	35
Current consumption (A)	0.35
Protection rate	IP 40
Duty rating	8 min. on / 8 min. off
Operation temp. (°C)	0...+60
Power cable length (m)	2.4
Power cable colour	White (+); white/grey (-)
Connecting cable Ø (mm)	1.43 (AWG 24)
Weight (kg)	0.33
Approvals	CE

## Dimensions



## Accessoires

Description	Product code	Packing Unit	Figure
Limit key	17.0108.3251	100 pcs	
Intermediate key	17.0115.2300	10 pcs	

## Logistics / Applications

Article number	17.0104.0000
Min. order qty	20 pcs
Application	EOS®500 Xcel Roller blinds Twist®/Double Roller blinds Facette® shades

## Important notice

Hunter Douglas Europe B.V. and its affiliates (Hunter Douglas) reserve the right to make corrections, enhancements, improvements and other changes to its products and services, and to discontinue any product or service. Buyers should obtain the latest relevant information before placing orders and

## DATASHEET

should verify that such information is current and complete. All products (also referred to herein as "components") are sold subject to Hunter Douglas' terms and conditions of sale supplied at the time of order acknowledgment. Hunter Douglas warrants performance of its components to the specifications applicable at the time of sale, in accordance with its standard warranty terms. Testing and other quality control techniques are used to the extent Hunter Douglas deems necessary to support this warranty. Except where mandated by applicable law, testing of all parameters of each component is not necessarily performed. Hunter Douglas assumes no liability for applications assistance or the design of Buyers' products. Buyers are responsible for their products, applications and interfaces using Hunter Douglas components. To minimize the risks associated with Buyers' products and applications, Buyers should provide adequate design and operating safeguards. Hunter Douglas does not warrant or represent that any license, either express or implied, is granted under any patent right, copyright, mask work right, or other intellectual property right relating to any combination, machine, or process in which Hunter Douglas components or services are used. Information published by Hunter Douglas regarding third-party products or services does not constitute a license to use such products or services or a warranty or endorsement thereof. Use of such information may require a license from a third party under the patents or other intellectual property of the third party, or a license from Hunter Douglas under the patents or other intellectual property of Hunter Douglas. Reproduction of Hunter Douglas information in Hunter Douglas data sheets is permissible only if reproduction is without alteration and is accompanied by all associated warranties, conditions, limitations, and notices. Hunter Douglas is not responsible or liable for any altered documentation. Information of third parties may be subject to additional restrictions. Resale of Hunter Douglas components or services with statements different from or beyond the parameters stated by Hunter Douglas for that component or service voids all express and any implied warranties for the associated Hunter Douglas component or service and is an unfair and deceptive business practice. Hunter Douglas is not responsible or liable for any such statements. Buyers acknowledge and agree that they are solely responsible for compliance with all legal, regulatory and safety-related requirements concerning its products, and any use of Hunter Douglas components in its applications, notwithstanding any applications-related information or support that may be provided by Hunter Douglas. Buyers represent and agree that they have all the necessary expertise to create and implement safeguards which anticipate dangerous consequences of failures, monitor failures and their consequences, lessen the likelihood of failures that might cause harm and take appropriate remedial actions. Buyers fully indemnify Hunter Douglas and its representatives against any damages arising out of the use of any Hunter Douglas components in safety-critical applications. Manufacturer/Supplier address: Hunter Douglas Europe B.V, P.O. Box 5072 Piekstraat 2 3008 AB Rotterdam The Netherlands