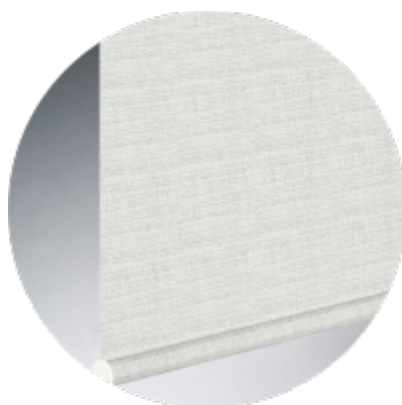


# Roller blind 24VDC

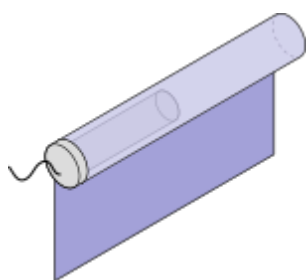
## M25T 24V motor Programming

The M25T 24V tubular motor is suited to be used with EOS® 500 Xcel roller blind hardware (tube Ø31/37mm) from HunterDouglas.

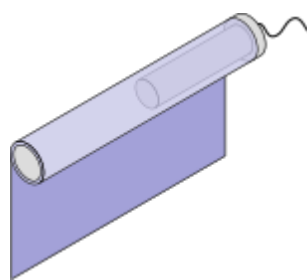


The procedure describes the fastest way to set the end limits and program a favourite position of the M25T tubular motor with electronic limit switches (article 17.0104.0000) for roller blinds with rear- and back-motor winding, both for right and left side installations.

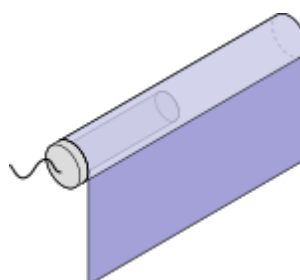
Once set, the end positions are stored in the non-volatile memory of the motor.



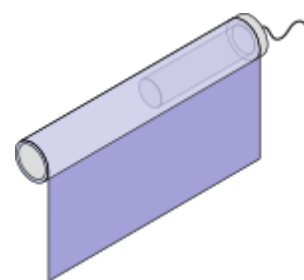
*rear-motor winding  
motor left*



*rear-motor winding  
motor right*



*front-motor winding  
motor left*



*front-motor winding  
motor right*

## 1. Delivery condition

As standard, no limits or a favourite position are set.

### **IMPORTANT**

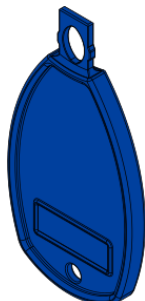
A factory default motor will jog 1x when no limits are set yet.

## 1.1. Check equipment

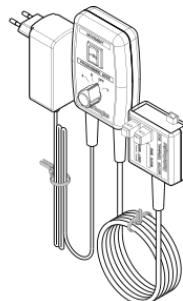
To set the motor end limits and favourite position, following tools and conditions are required:



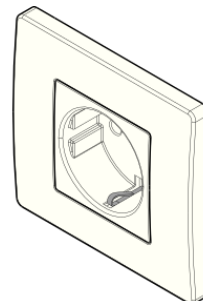
*limit key*



*intermediate key*



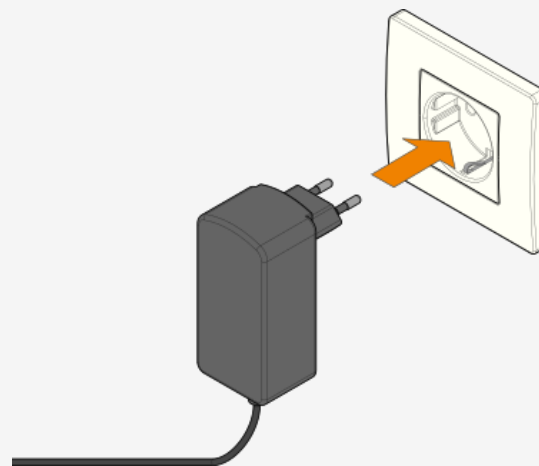
*handheld programming tool*



*power socket*

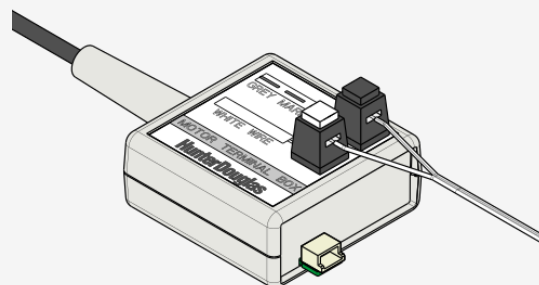
## 1.2. Power up the motor

- 1.2.1 **Put** the power adapter of the handheld power tool into a power socket .

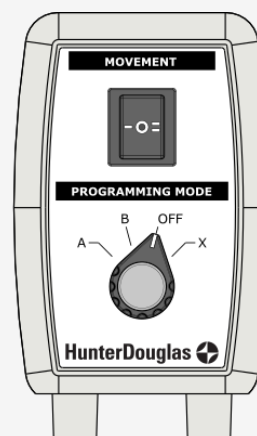


- 1.2.2 **Connect** the wires of the motor to the connectors of the handheld power tool.

- **white** motor wire to **WHITE WIRE** terminal
- **white/grey** motor wire to **GREY MARKER** terminal



- 1.2.3 **Turn** the rotary button on the power tool to OFF position.



## 2. Setting end limits

### IMPORTANT

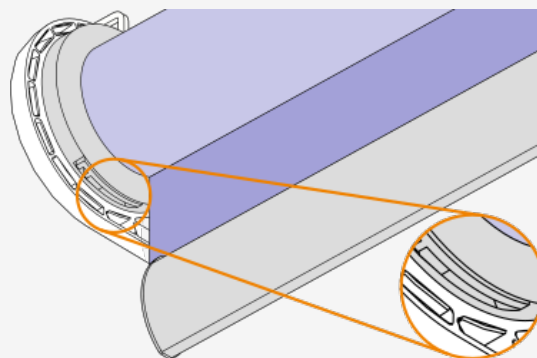
Always start with setting the **open limit** (top) limit with a factory default motor.

### Note

It is important to have the fabric of the blind tight around the tube.

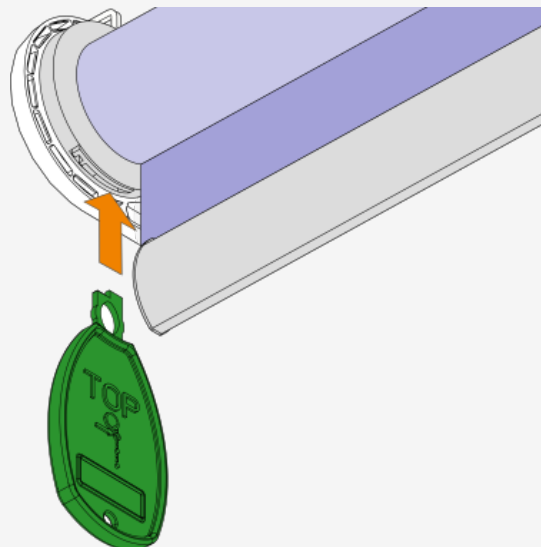
### 2.1. Open limit (top)

- 2.1.1 **Locate** the motor key hole .

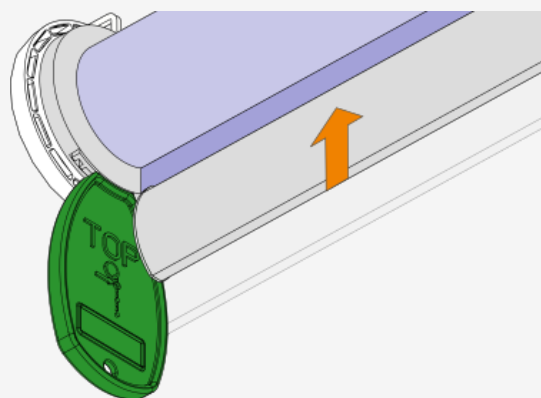


2.1.2 **Insert** the limit setting key into the key hole .

**TOP** text is marked to the inside of the blind.

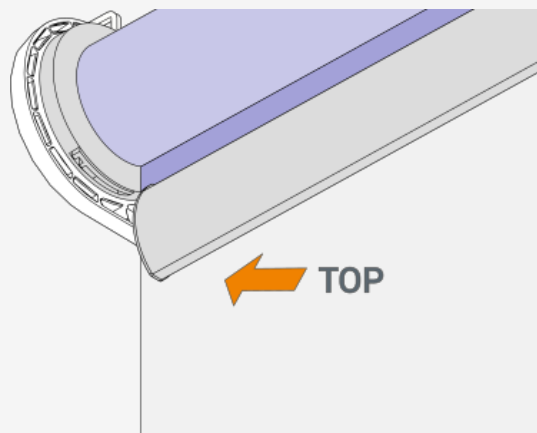


2.1.3 Use the **movement** buttons on the handheld power tool to determine the desired open (top) position.



### 2.1.4 Remove the limit setting key.

The **Open (top)** limit has been set!



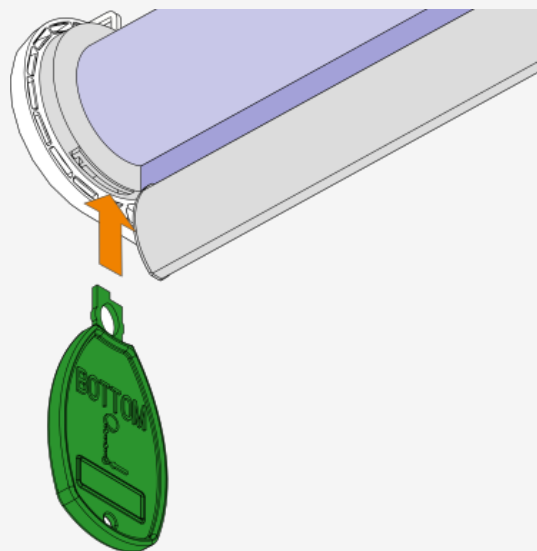
#### Note

To re-position the Open (top) limit of the blind, repeat step 2.1.2.

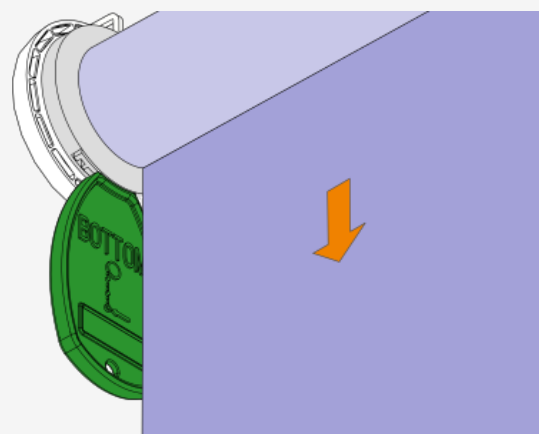
## 2.2. Close limit (bottom)

### 2.2.1 Insert the limit setting key into the key hole .

**BOTTOM** text is marked to the inside of the blind.

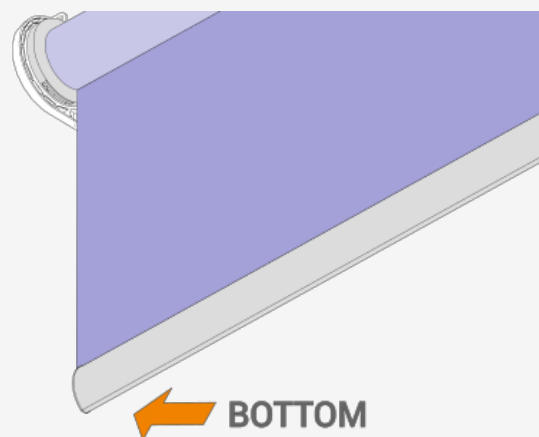


- 2.2.2 Use the **movement** buttons on the handheld power tool to determine the desired Close (bottom) position.



- 2.2.3 **Remove** the limit setting key.

The **Close** limit has been set!



 **Note**

To re-position the bottom limit of the blind, repeat step 2.2.1.

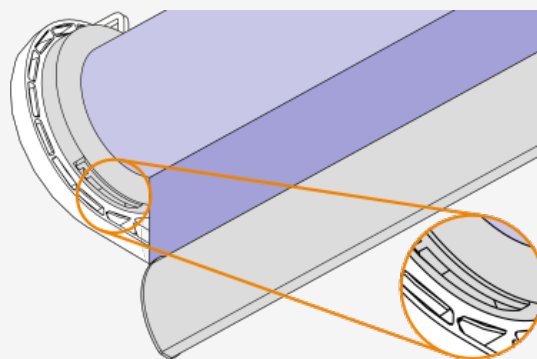
## 3. Favourite position

### IMPORTANT

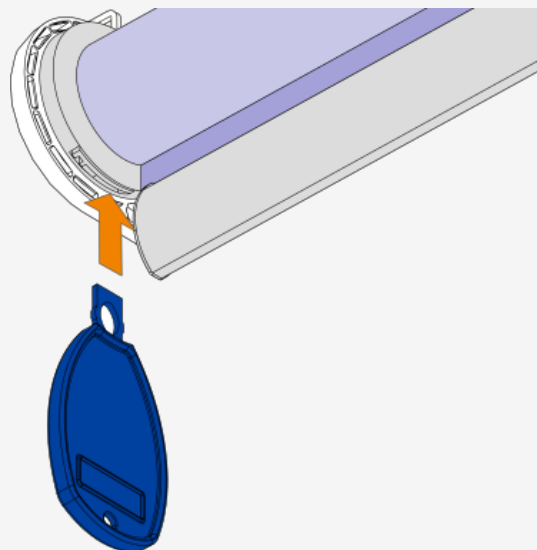
Always set the [end limits](#) first!

### 3.1. Set a favourite position

3.1.1 **Locate** the motor key hole .



3.1.2 **Insert** the intermediate key into the key hole .



3.1.3 **Send** the blind to the desired favourite position using the movement buttons on the handheld power tool.



3.1.5 **Remove** the intermediate key.

The **favourite** position has been set!



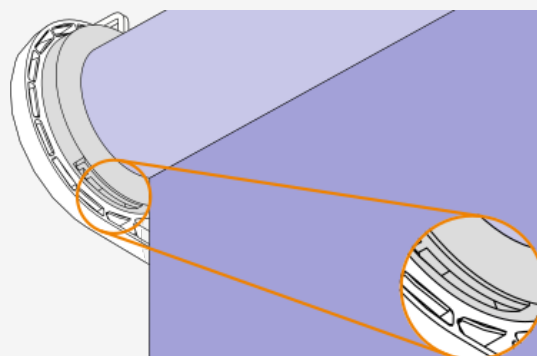


### 3.2. Remove the favourite position

3.2.1 **Send** the blind to the favourite position using the movement buttons on the handheld power tool.



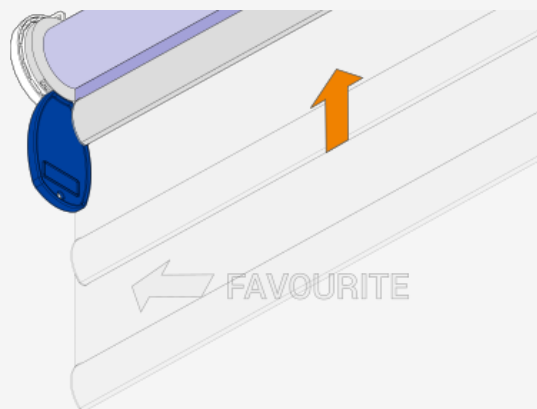
3.2.2 **Locate** the motor key hole .



3.2.3 **Insert** the intermediate key into the key hole .

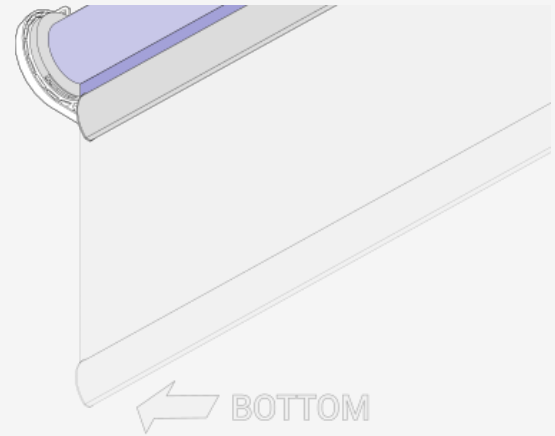



3.2.4 **Send** the blind to the top (open) position using the movement buttons on the handheld power tool.



3.2.5 **Remove** the intermediate key.

The **favourite** position has been removed!



 **Note**

To set a new favourite position, repeat step 3.1 Set a favourite position

## Important notice

Hunter Douglas Europe B.V. and its affiliates (Hunter Douglas) reserve the right to make corrections, enhancements, improvements and other changes to its products and services, and to discontinue any product or service. Buyers should obtain the latest relevant information before placing orders and should verify that such information is current and complete. All products (also referred to herein as "components") are sold subject to Hunter Douglas' terms and conditions of sale supplied at the time of order acknowledgment. Hunter Douglas warrants performance of its components to the specifications applicable at the time of sale, in accordance with its standard warranty terms. Testing and other quality control techniques are used to the extent Hunter Douglas deems necessary to support this warranty. Except where mandated by applicable law, testing of all parameters of each component is not necessarily performed. Hunter Douglas assumes no liability for applications assistance or the design of Buyers' products. Buyers are responsible for their products, applications and interfaces using Hunter Douglas components. To minimize the risks associated with Buyers' products and applications, Buyers should provide adequate design and operating safeguards. Hunter Douglas does not warrant or represent that any license, either express or implied, is granted under any patent right, copyright, mask work right, or other intellectual property right relating to any combination, machine, or process in which Hunter Douglas components or services are used. Information published by Hunter Douglas regarding third-party products or services does not constitute a license to use such products or services or a warranty or endorsement thereof. Use of such information may require a license from a third party under the patents or other intellectual property of the third party, or a license from Hunter Douglas under the patents or other intellectual property of Hunter Douglas. Reproduction of Hunter Douglas information in Hunter Douglas data sheets is permissible only if reproduction is without alteration and is accompanied by all associated warranties, conditions, limitations, and notices. Hunter Douglas is not responsible or liable for any altered documentation. Information of third parties may be subject to additional restrictions. Resale of Hunter Douglas components or services with statements different from or beyond the parameters stated by Hunter Douglas for that component or service voids all express and any implied warranties for the associated Hunter Douglas component or service and is an unfair and deceptive business practice. Hunter Douglas is not responsible or liable for any such statements. Buyers acknowledge and agree that they are solely responsible for compliance with all legal, regulatory and safety-related requirements concerning its products, and any use of Hunter Douglas components in its applications, notwithstanding any applications-related information or support that may be provided by Hunter Douglas. Buyers represent and agree that they have all the necessary expertise to create and implement safeguards which anticipate dangerous consequences of failures, monitor failures and their consequences, lessen the likelihood of failures that might cause harm and take appropriate remedial actions. Buyers fully indemnify Hunter Douglas and its representatives against any damages arising out of the use of any Hunter Douglas components in safety-critical applications.